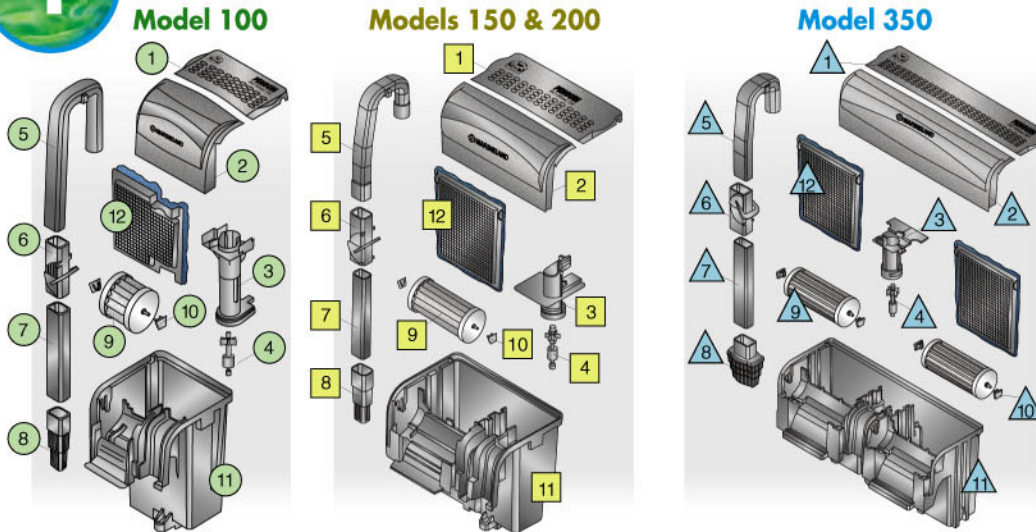


# Start Here - Penguin Power Filter Quick Setup Guide

1

## Verify Your Model



(1) Filter Cover (2) BIO-Wheel Cover (3) Impeller Housing (4) Impeller (5) Intake Tube (6) Mid-Level Intake Strainer (7) Extension Tube (8) Strainer (9) BIO-Wheel (10) BIO-Wheel Bearings (11) Filter Box (12) Filter Cartridge

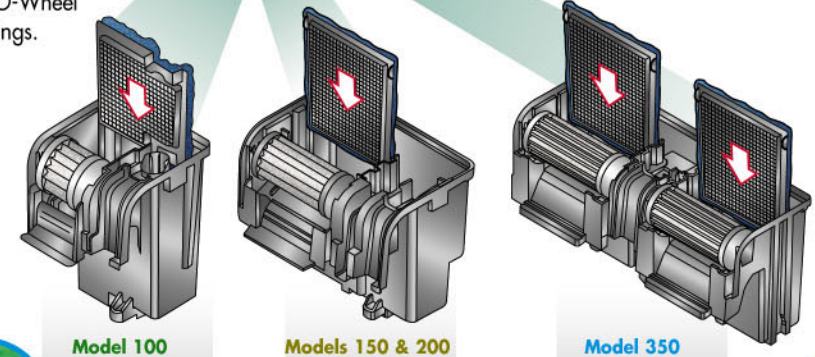
2

## Install Filter Cartridge(s)

**A.** Rinse Filter Cartridge thoroughly. Install as shown (blue side toward back of Filter Box).  
**B.** BIO-Wheel should rest securely in BIO-Wheel Bearings.



1. Replace Filter Cartridge every 2 to 4 weeks.
2. NEVER clean or replace BIO-Wheel. Discoloration of material is normal and desirable. If excessive buildup occurs, rinse gently with dechlorinated water (room temperature) as needed.
3. Extra media slot is for inserting an additional filter cartridge or adding other filtration media.

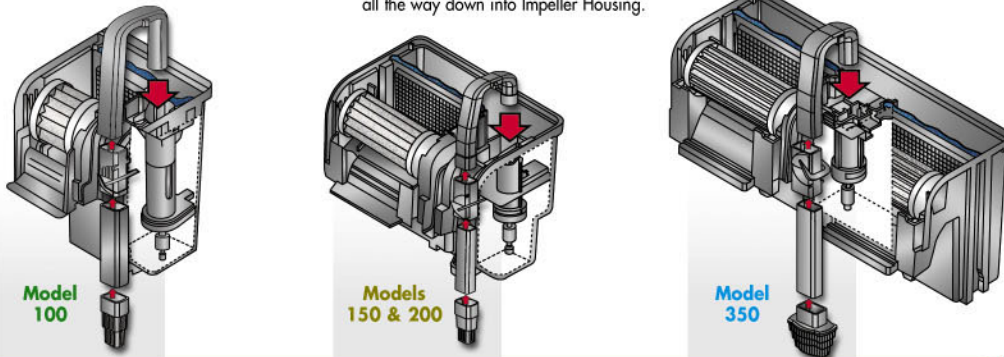


3

## Assemble Intake

- A.** Attach Strainer to Extension Tube.      **C.** Attach Mid-Level Intake Strainer to Intake Tube.  
**B.** Insert Extension Tube into Mid-Level Intake Strainer.      **D.** Insert Intake Tube into Impeller Housing.

**NOTE:** Short end of Intake Tube must be inserted all the way down into Impeller Housing.



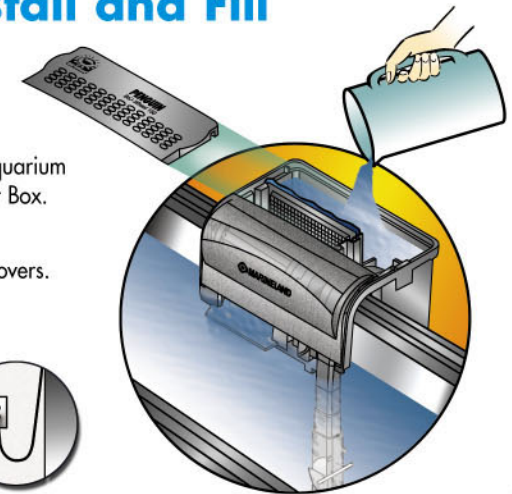
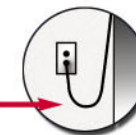
4

## Install and Fill

- A.** Install Power Filter on back of aquarium frame, before adding water to Filter Box.  
**B.** Fill Filter Box with water.  
**C.** Replace BIO-Wheel and Filter Covers.

To start your system, just plug it in. Adjust Intake, if desired

**NOTE:** Drip Loop (for safety)



**Adding Fish:** Before adding any fish, dechlorinate your aquarium water (with BIO-Safe™ Tap Water Detoxifier) and allow your BIO-Wheel Power Filter to operate for 24 hours. Start with 2-3 fish per 10 gallons of water. Add more fish gradually over a 4-6 week period.

Questions or Missing Parts?  
 Call Customer Service at:  
**(800) 322-1266**

09/04 10537

**MARINELAND**

